

八联方  
JOIN  
THE WORLD

Hangzhou Balianfang Standard Parts Co.,LTD

TEL: +86 0571-86293630 FAX: +86 0571-8629 2737

EMAIL: blfspchina@aliyun.com

杭州八联方标准件有限公司

Hangzhou Balianfang Standard Parts Co.,LTD

# COMPANY » > PROFILE 公司简介

我 公司是杭州八联方标准件有限公司(前身为1996年成立的乐清仪表标准件有限公司)为了发展海外市场,在杭州市成立的产品营销公司。公司位于具有巨大发展潜力的杭州,我公司以工贸结合为基础,生产基地位于乐清和杭州市余杭区义桥工业区,主要经营销售标准件、非标准件产品,同时积极拓展仪表仪器、电力设备及配件、电子元器件等国内外产品市场,以及进出口贸易的代理业务。主要销售的标准件产品应用于国家电网及矿山防爆设备中,产品质量和服务受到用户的广泛好评。

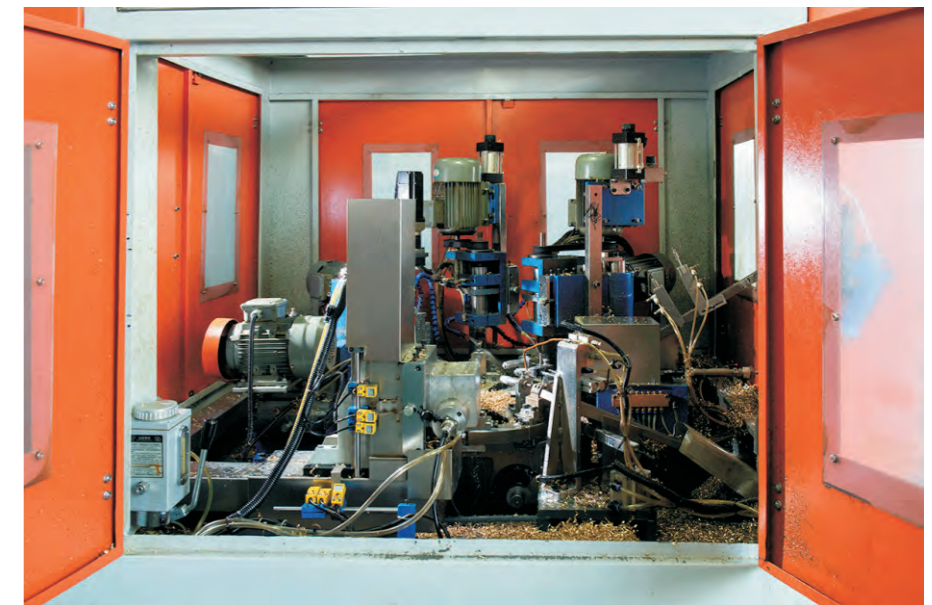
HANGZHOU BALIANFANG STANDARD PARTS CO., LTD. is a modern hardware enterprise which integrates designing, manufacturing, selling and service together. The company is located in Hangzhou City, Zhejiang Province, which is near Shanghai, and enjoys a great development prospect. We are experienced in the field of hardware, and was developed from YUEQING BAFANG STANDARDS PARTS CO., LTD, which was established in 1996, and located in Wenzhou City. On the basis of integrating manufacturing and trading, we are specialized in manufacturing high quality and customized standard parts, non-standard parts in hardware. Meanwhile, we are actively expending the domestic and foreign market constantly. With the joint effort of all our workmates, we have successfully win the market of Eastern Europe, Middle East, Southeast Asia, Africa and South America.

Following the slogan of quality first, customers first, reputation first, we have the confidence that we will go further and higher!

公司概況  
About Company



# Hangzhou Balianfang Standard Parts Co.,LTD



生产车间  
Work Shop

Sealing Screw

Sealing Screw



Sealing Screw

Sealing Screw

Size: M3, M4, M5, M6  
 Length: 9mm - 45mm  
 Material: Carbon Steel, Stainless Steel, Brass...  
 Surface treatment: Zinc plated, Nickel Plated, Dacromet, Etc...  
 Standard: GB, DIN, ISO, ANSI, JIS...

Size: M3, M4, M5, M6  
 Length: 9mm - 45mm  
 Material: Carbon Steel, Stainless Steel, Brass...  
 Surface treatment: Zinc plated, Nickel Plated, Dacromet, Etc...  
 Standard: GB, DIN, ISO, ANSI, JIS...

**We can make products base on customer's drawing.**

**We can make products base on customer's drawing.**

Slotted head Screw



Phillips head Screw



Slot+Pozidriv head Screw



Allen head Screw



Torx Head Screw



Special Head Screw



Material: Carbon Steel, Stainless Steel, Brass...

Surface treatment: Zinc plated, Nickel Plated, Dacromet, Etc...

Standard: GB, DIN, ISO, ANSI, JIS...

**We can make products base on customer's drawing.**



SEMS Screw

Nuts



SEMS Screw

Nuts

Material: Carbon Steel, Stainless Steel, Brass...

Surface treatment: Zinc plated, Nickel Plated, Dacromet, Etc...

Standard: GB, DIN, ISO, ANSI, JIS...

Material: Carbon Steel, Stainless Steel, Brass...

Surface treatment: Zinc plated, Nickel Plated, Dacromet, Etc...

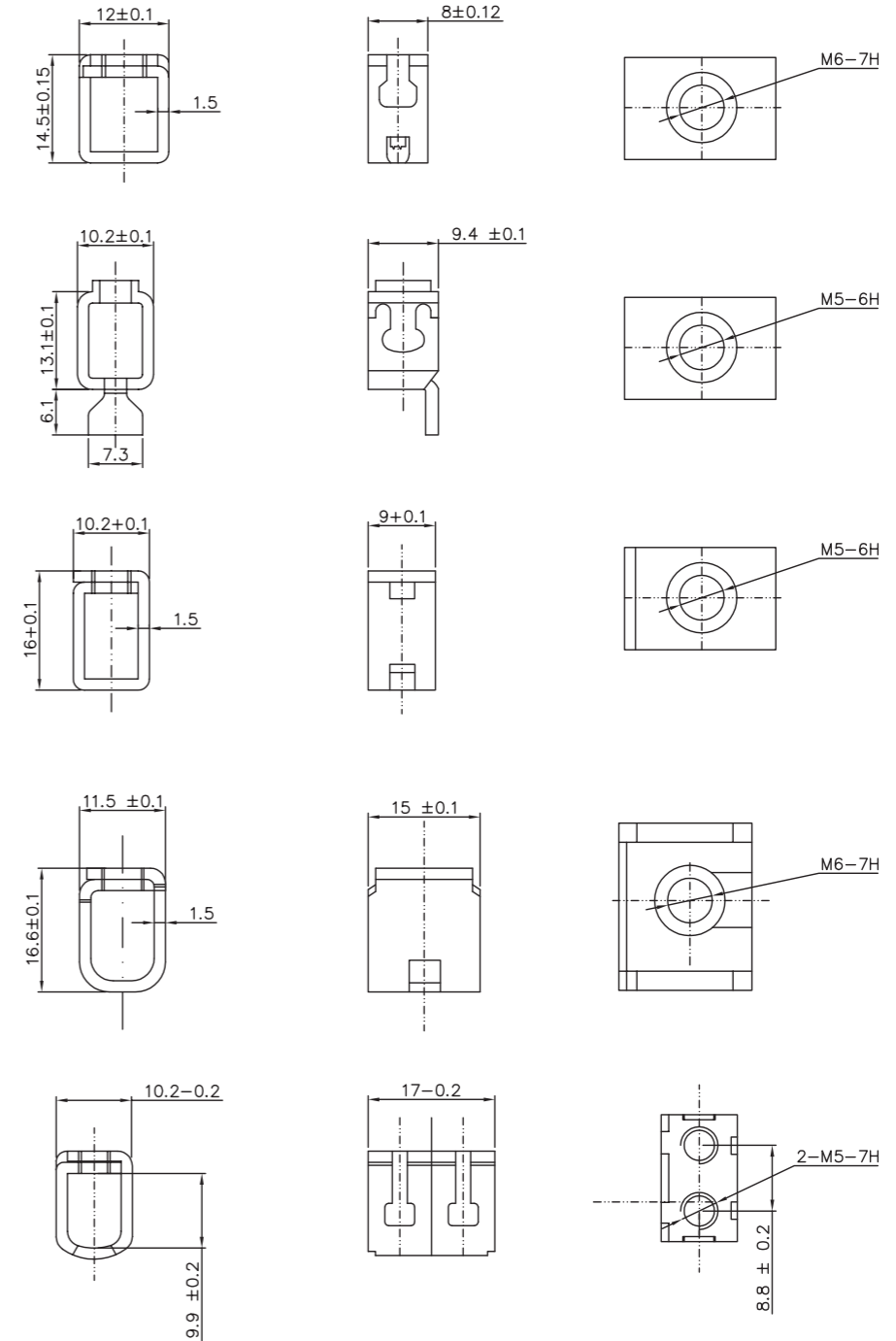
Standard: GB, DIN, ISO, ANSI, JIS...

**We can make products base on customer's drawing.**

**We can make products base on customer's drawing.**

Cage Terminal

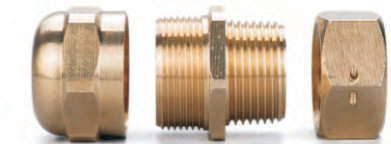
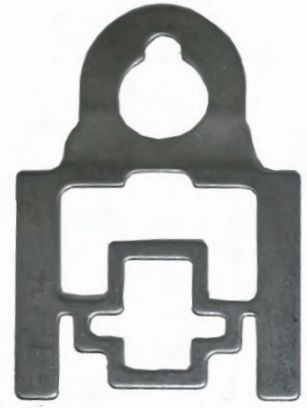
Terminal Drawing



We can make products base on customer's drawing.

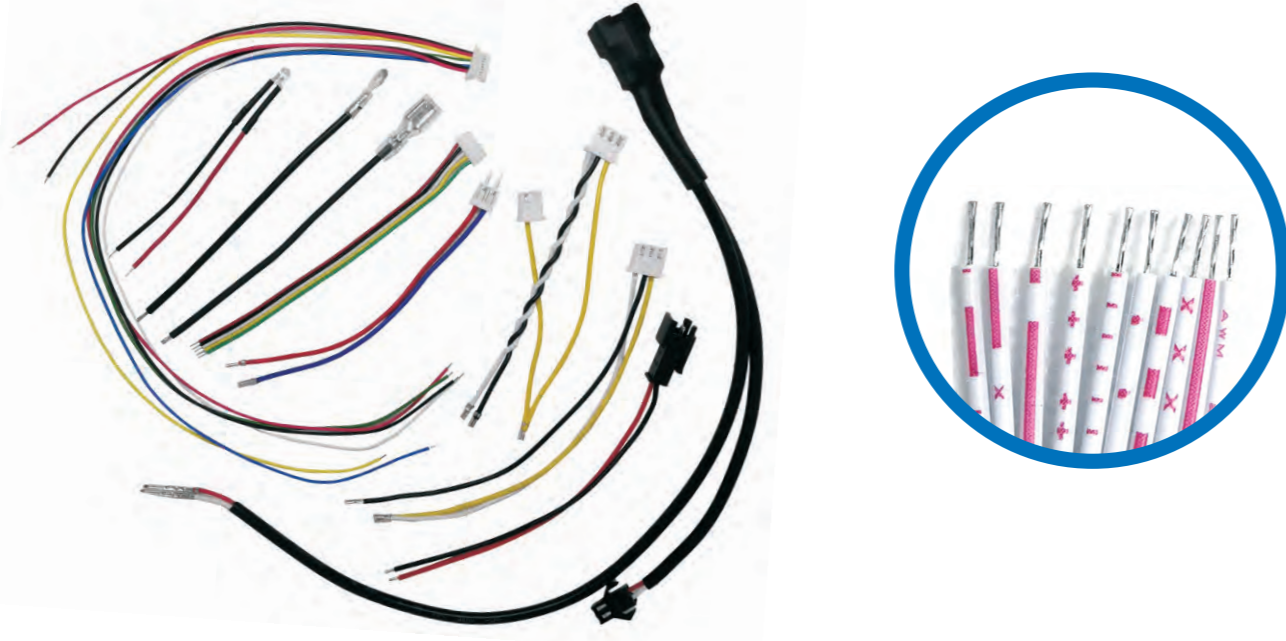
Meter Accessories

Brass Connector





Wiring Harness



Cable type: RV 0.3, RV 0.5, UR1430 , UL1007, UL10109, UL2651, TJC3, UL2468, UL10368, UL3266 ,UL 1571, XH-3P/2P, SM 2R/3R/4R/2P, SAN-4P, PH-5P/1.25-5P

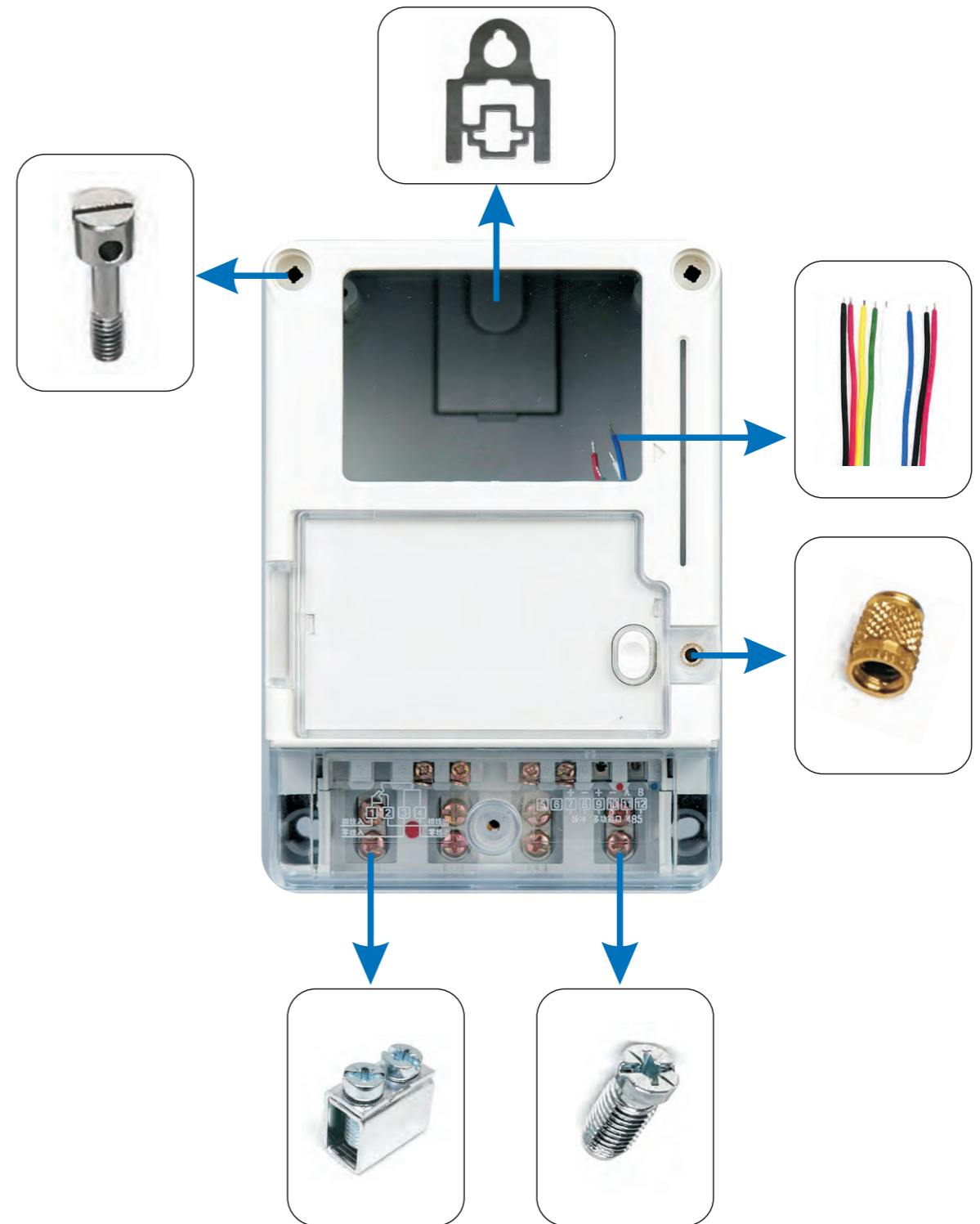
Connector: JAE, HRS, JST, AMP, Dupont, I-pex, Molex, YH, ACES, FCI, DDK, UJU, JWT,

Cable length: 50MM - 15000MM  
Pitch range: 0.5-4.2mm

Application: LCD/Display/Advertising machine/Phone/Laptop/Computer/ PDA Camera/LCM/Notebook/tablet PC/ HDD  
Telecommunication equipment, automotive, electronics. Etc.

Certification: UL ,ROHS, ISO, CE, TUV

Meter Accessories

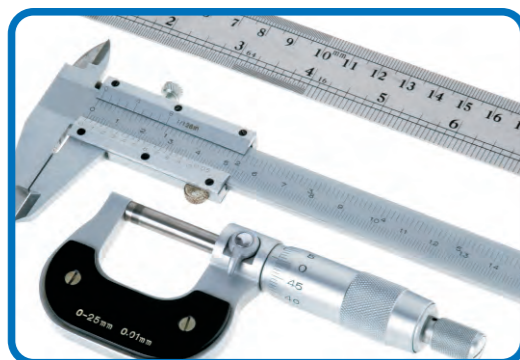


Meter Accessories

Certification



Inspection Tools



	Slot		Hex socket
	Phillips		Security hex socket
	Pozidriv		Torx
	Square		Security Torx
	Robertson		Tri-Wing
	Hex		Torq-set
	平頭 FLAT		崙山頭 BINDING
	半圓頭 OVAL		大扁頭 TRUSS
	盤頭帶介 PAN WASHER		盤頭(雙R) PAN(JIS)
	圓頭 ROUND		外六角頭帶介 INDENTED HEXAGON WASHER
	圓柱頭 FILLISTER		平頂頭 PF